

Model G8-80 Rotary Gear Pump

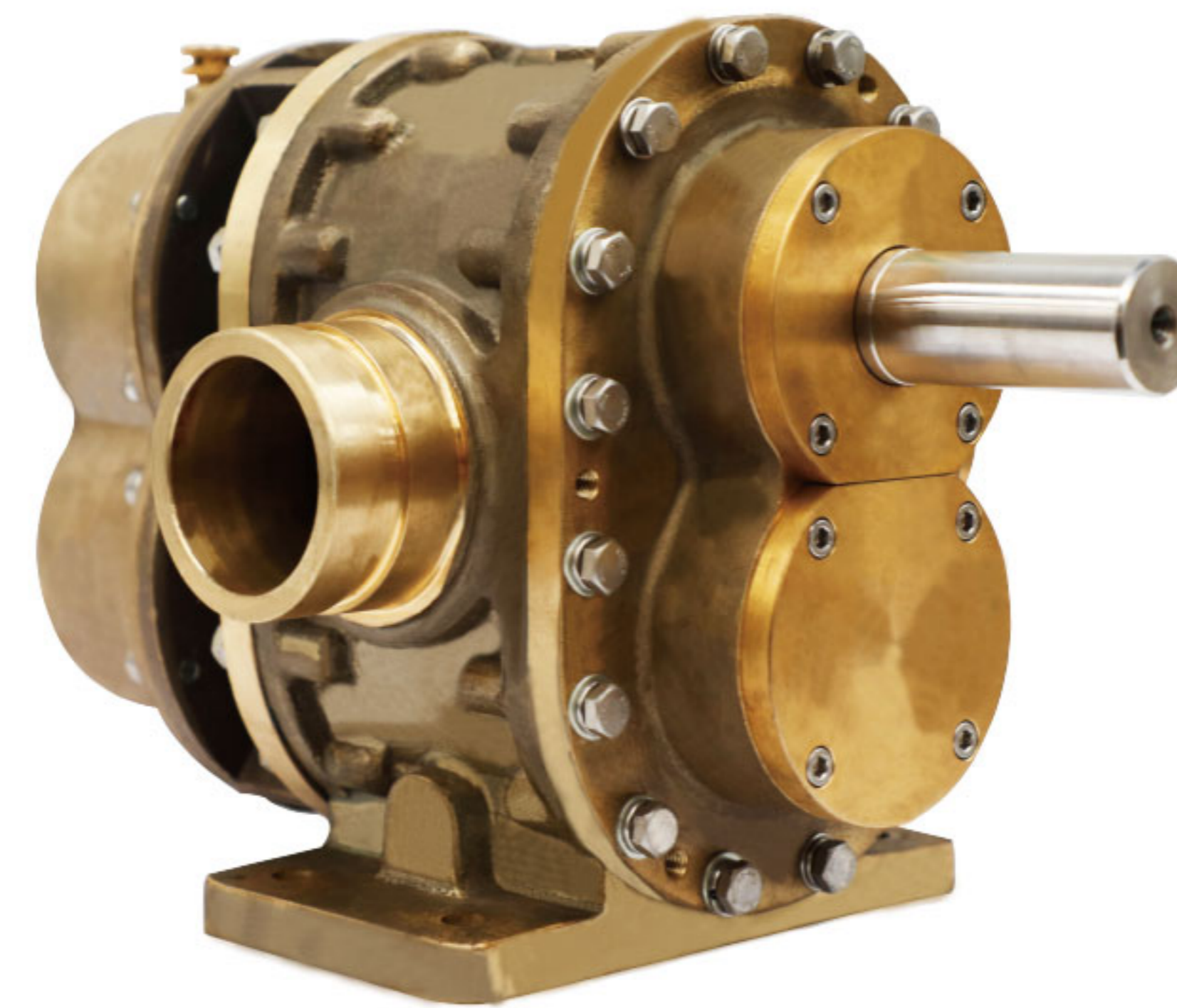
Surex rotary gear pumps designed for foam extinguishing system. They are Self-Priming and can pump Multiple Viscosities of Foam or Water. This versatile design is suitable for Electric, PTO, Diesel/Gasoline Engine, Water Driven or Hydraulic drive motors.

Design Features:

- Timing Gears Synchronize the Two Pumping Rotors.
- Timing Gears Allow for DRY Running Without Damage.
- No Rotor Contact Allows for Pumping Foam or Water.
- Water Can Be Used for: Calibration, Testing and Training.

Technical Data:

Max Pressure: 2.0MPa | 20bar
Max Speed: 1800RPM
Viscosity : 9500cp max.[1]
Connection Diameter: DN65(76.1 O.D.)、2½"
Connection Type: Groove、Thread、Flange
Approvals: FM
[1]Brookfield viscometer, spindle #4, speed 30rpm.



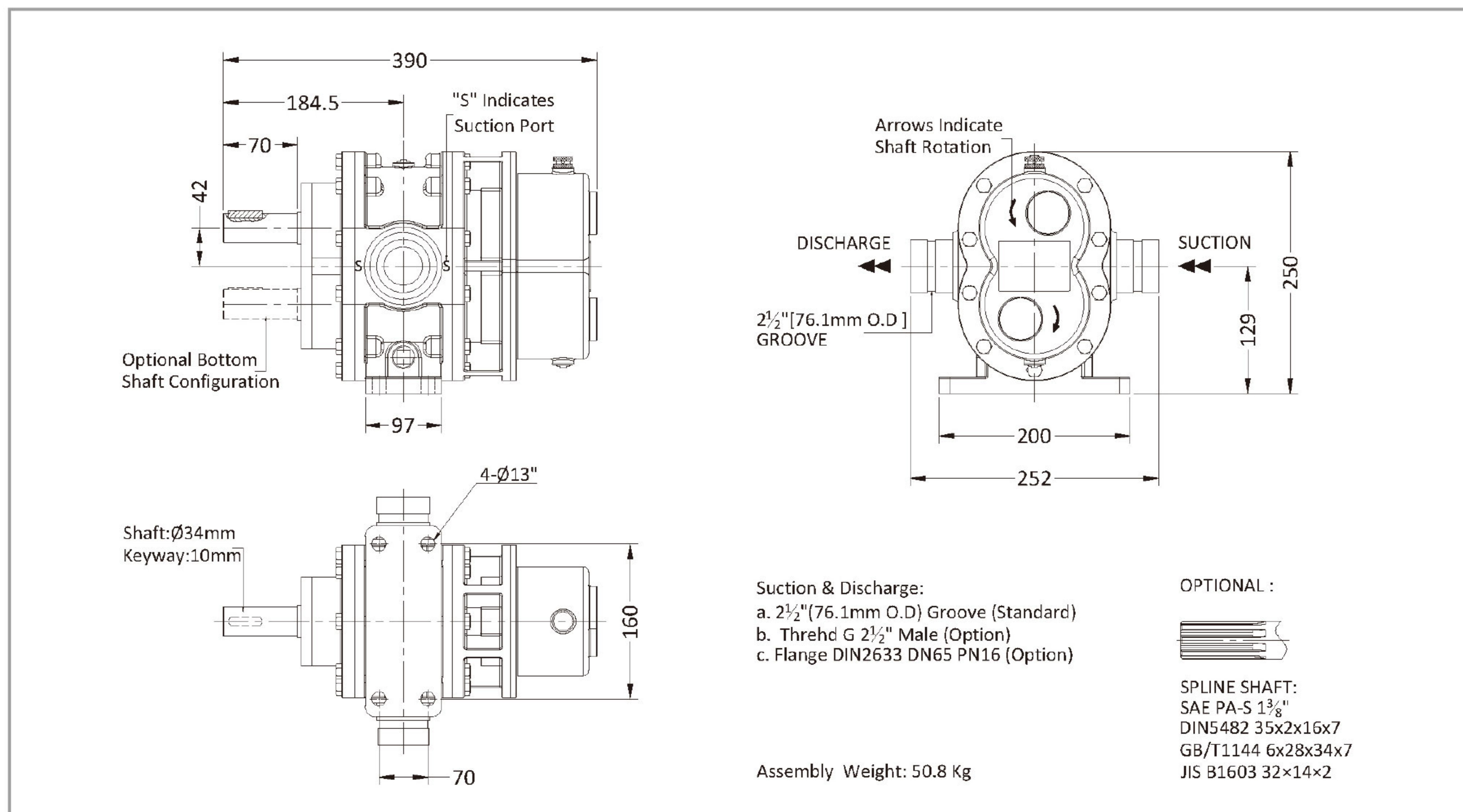
Materials :

Pump body: Red Brass, ASTM B584 C83600
Rotor: Stainless Steel 17-4PH
Red Brass, ASTM B584 C83600
Liners: Red Brass, ASTM B584 C83600
Front Cover: Red Brass, ASTM B584 C83600
Back Cover: Red Brass ASTM B584 C83600
Timing Gear: Alloy Steel 20CrMnTi (ASTM A29M)
Lip Seal : FPM

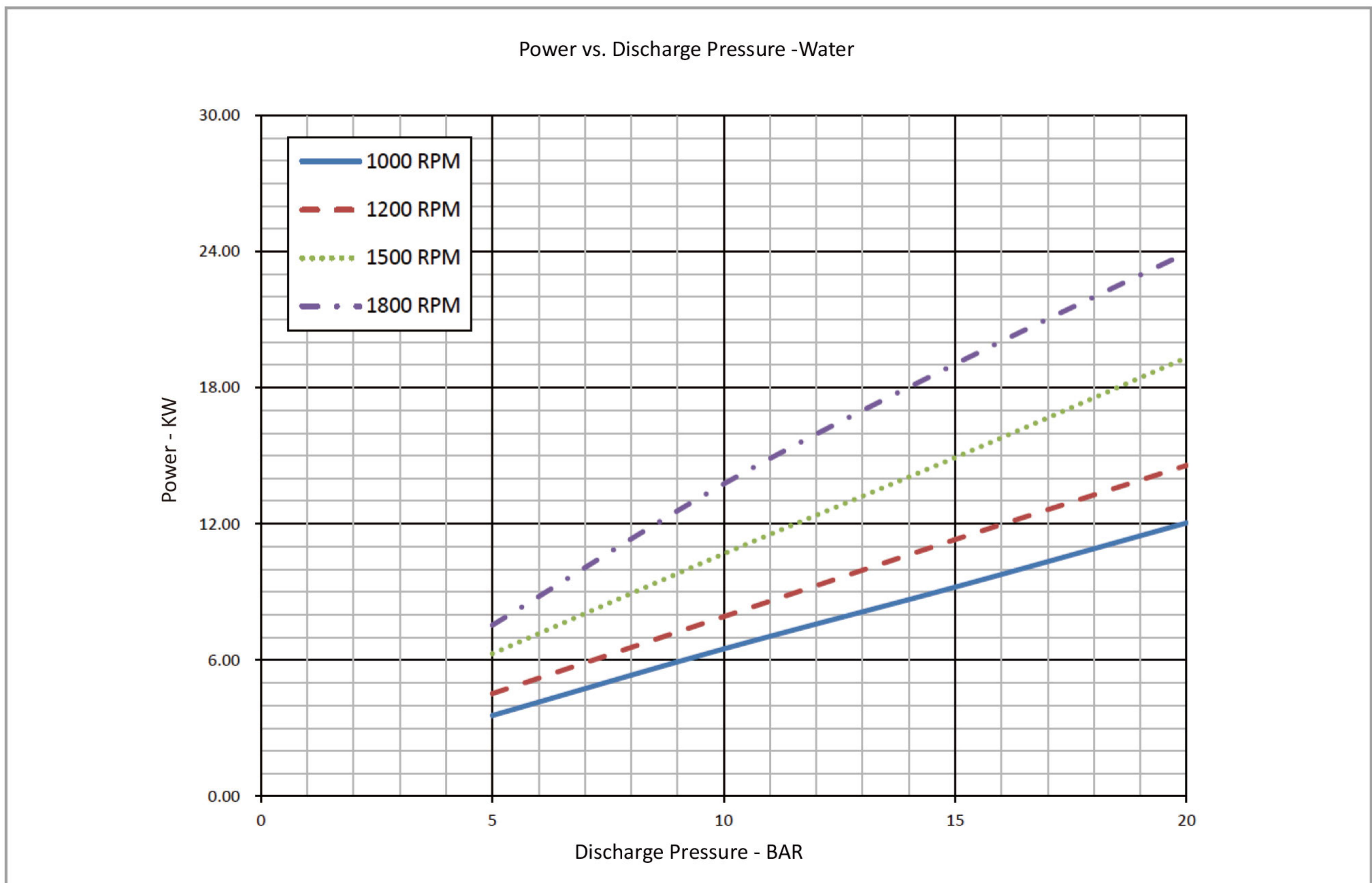
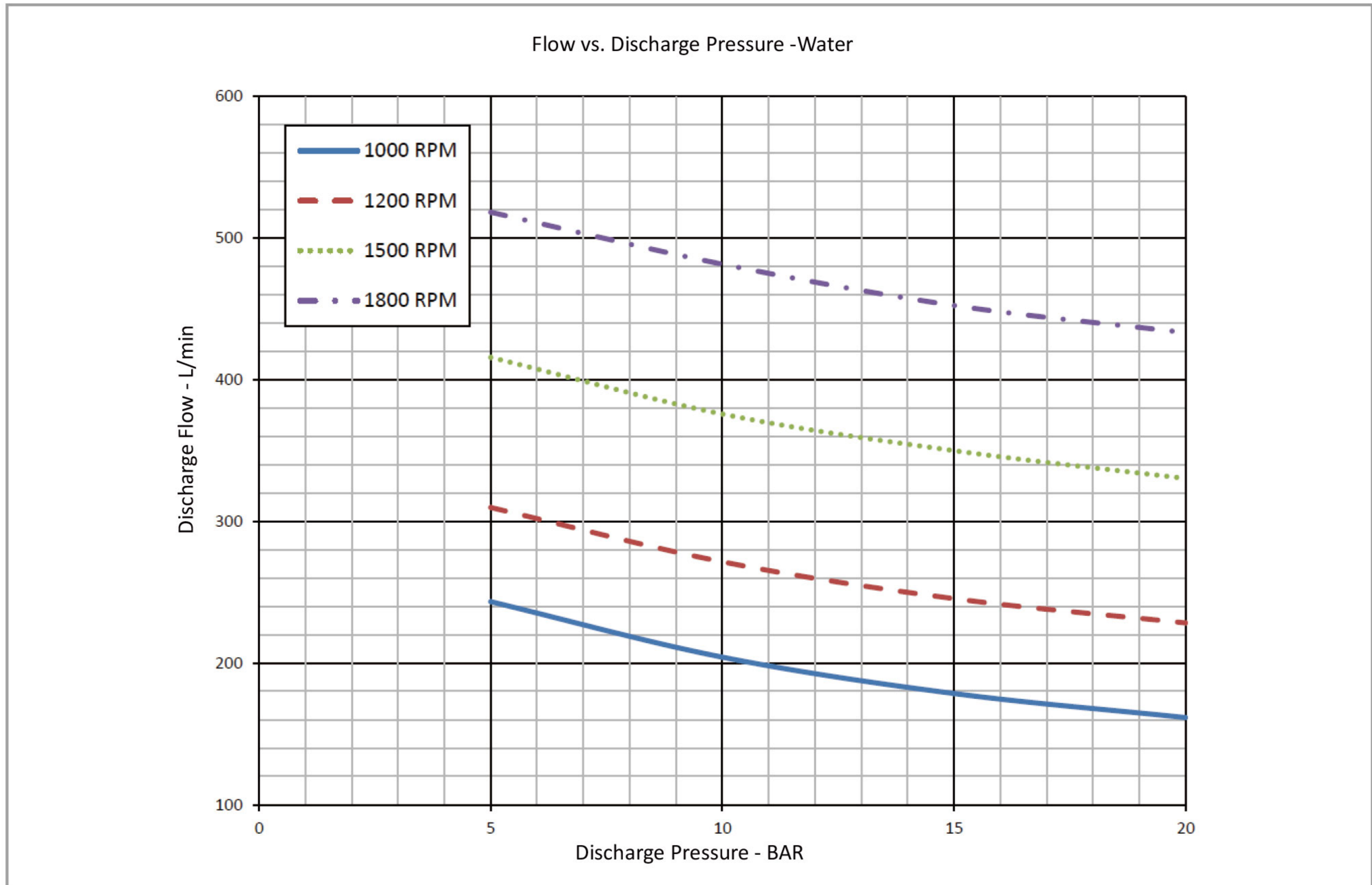
Performance -Water

| Foam Pump | 1000rpm | | | 1200rpm | | | 1500rpm | | | 1800rpm | | | |
|-----------|----------|-------|-------|---------|-------|-------|---------|-------|-------|---------|-------|-------|--------|
| | Pressure | Flow | Power | Torque | Flow | Power | Torque | Flow | Power | Torque | Flow | Power | Torque |
| | bar | L/min | kw | N.m | L/min | kw | N.m | L/min | kw | N.m | L/min | kw | N.m |
| | 5.0 | 243 | 4 | 34 | 310 | 5 | 36 | 416 | 6 | 40 | 518 | 8 | 40 |
| | 6.9 | 227 | 5 | 45 | 294 | 6 | 47 | 399 | 8 | 51 | 503 | 10 | 53 |
| | 10.3 | 203 | 7 | 63 | 270 | 8 | 65 | 375 | 11 | 70 | 479 | 14 | 74 |
| | 13.8 | 184 | 9 | 82 | 251 | 10 | 83 | 355 | 14 | 88 | 459 | 18 | 95 |
| | 17.2 | 169 | 10 | 100 | 236 | 13 | 101 | 340 | 17 | 107 | 443 | 21 | 114 |
| | 20.0 | 162 | 12 | 115 | 228 | 15 | 116 | 330 | 19 | 123 | 433 | 24 | 127 |

Dimensions



Model G8-80 Rotary Gear Pump



• The pump performance for foam concentrate, please contact Surex, or down load from www.surexfoam.com.